

Blind Rivet

C-1, 2.....General Description

C-3, 4.....Closed Rivet Spec Sheet

C-5, 6, 7.....Interlock Spec Sheets

C-8.....Mono Bolt Spec Sheets

C-9, 10, 11, 12, 13, 14..... Open Rivet & Large Flange

C-15.....Multi Grip Spec Sheets

Spec sheet contain cross reference numbers.

Blind Rivet

Closed End Rivet

Closed end rivets are used to seal out moisture, air and other contaminants. They also have a higher shear and tensile strength than open end rivets. Available in all aluminum, all steel, aluminum/steel and all stainless steel. Standard (domed) head, counter sunk head and large flange head.



Structural Rivet

There are 2 types of structural rivets, Interlock and Mono Bolt style. Each style rivet has a mandrel locking feature that prevents loosening from vibration. Sometimes these rivets are called Monobolts, Tiger Bolt, Ultra Grip, Magna Lock, Kwik Lock. Both types of structural rivets have a very high shear and tensile strength. Very high clamp up (holding power) and a wide grip range. Available in all aluminum, all steel and all stainless steel. Standard (domed) head, counter sunk head and large flange head.



Open End Rivet

Sometimes called Pop rivet, blind rivet. Available in all aluminum, all steel, aluminum/steel, stainless steel/steel and all stainless steel. Standard (domed) head and counter sunk heads are available.



Large Flange Rivet

Sometimes called plywood rivet. Same rivet as the open rivet but with a larger diameter head. Available in all aluminum, all steel, aluminum/steel and all stainless steel.



Blind Rivet

Multi-Grip Rivet

Same as open end rivets but have a larger grip range. Available in all aluminum, all steel, aluminum/steel and all stainless steel. Standard (domed) head, large flange head and counter sunk heads are available.



Peel Rivet

Peel rivets were designed to join plastics, rubber, wood and laminates. Can be used with any soft and or brittle material. Available in aluminum/steel dome head.



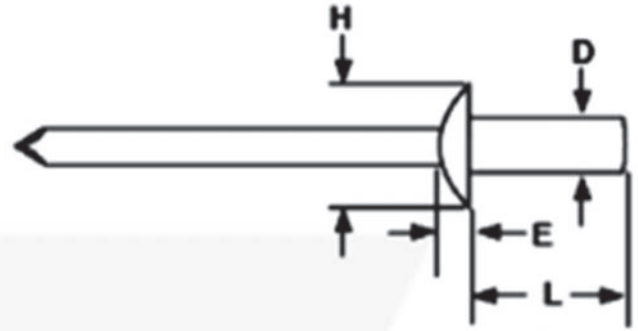
Tri Fold Rivet / Bulb Tite Rivet

Tri Fold rivets were designed to join soft, brittle or thin material. Bulb Tite rivets are a tri fold rivet with greater strengths that are used in the trailer repair industry and metal building industry. Also available in a Shaveable style for trailer body repair. Available in all aluminum dome head, large flange and brazier head (shaveables).



ALUMINUM / STEEL CLOSED RIVET

Head: Dome
 Body: 5056 Alum. Polished
 Mandrel: Steel Phosphate
 IFI 126



Shear and tensile values shown is a guide only and may vary depending upon the application.

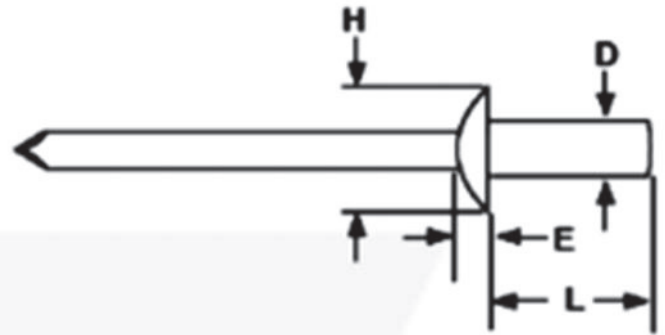
D(norm)	Part#	Grip Range	L (max)	H	E	Mandrel Min.	DrillSize	Ultimate Shear lbs	Ultimate Tensile lbs
3/16	ASF62	.020 - .125	.406	0.375	0.080	1.06	#11	575	840
	ASF63	.126 - .187	.468	0.375	0.080	1.06	#11	575	840
	ASF64	.188 - .250	.531	0.375	0.080	1.06	#11	575	840
	ASF66	.251 - .375	.656	0.375	0.080	1.06	#11	575	840
	ASF68	.376 - .500	.781	0.375	0.080	1.06	#11	575	840
	ASF610	.501 - .625	.906	0.375	0.080	1.06	#11	575	840
	ASF612	.626 - .750	1.026	0.375	0.080	1.06	#11	575	840
1/4	ASF84	.126 - .250	.570	0.500	0.100	1.25	F	900	1100
	ASF86	.251 - .375	.695	0.500	0.100	1.25	F	900	1100
	ASF88	.376 - .500	.820	0.500	0.100	1.25	F	900	1100
	ASF810	.501 - .625	.945	0.500	0.100	1.25	F	900	1100
	ASF812	.626 - .750	1.070	0.500	0.100	1.25	F	900	1100

Blind Rivet Cross Reference Guide

MM Dist.	POP	MARSON	CELUS	AVDEL
ASF62	AD62H	ABL6-2CLD	A62D-CE	BSL-06-02
ASF63	AD63H	ABL6-3CLD	A63D-CE	BSL-06-03
ASF64	AD64H	ABL6-4CLD	A64D-CE	BSL-06-04
ASF66	AD66H	ABL6-6CLD	A66D-CE	BSL-06-06
ASF68	AD68H	ABL6-8CLD	A68D-CE	BSL-06-08

ALUMINUM / ALUMINUM CLOSED RIVET

Head: Dome
 Body: Alum. Alloy Polished
 Mandrel: Alum. Alloy Polished
 IFI 126



Shear and tensile values shown is a guide only and may vary depending upon the application.

D(norm)	Part#	Grip Range	L (max)	H	E	Mandrel Min.	DrillSize	Ultimate Shear lbs	Ultimate Tensile lbs
3/16	AAF62	.020 - .125	.406	0.375	0.080	1.06	#11	220	310
	AAF63	.126-.187	.468	0.375	0.080	1.06	#11	220	310
	AAF64	.188 - .250	.531	0.375	0.080	1.06	#11	220	310
	AAF66	.251 - .375	.656	0.375	0.080	1.06	#11	220	310
	AAF68	.376 - .500	.781	0.375	0.080	1.06	#11	220	310
	AAF610	.501 - .625	.906	0.375	0.080	1.06	#11	220	310
	AAF612	.626 - .750	1.026	0.375	0.080	1.06	#11	220	310

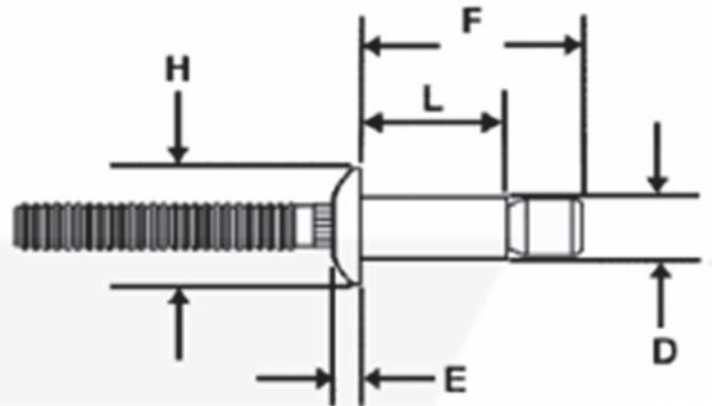
Blind Rivet Cross Reference Guide

MM Dist.	POP	MARSON	CELUS	AVDEL
AAF62	AD62AH	AB6-2ACLD	A62AD-CE	BAPH-06-02
AAF63	AD63AH		A63AD-CE	
AAF64	AD64AH	AB6-4ACLD	A64AD-CE	BAPH-06-04
AAF66	AD66AH	AB6-6ACLD	A66AD-CE	BAPH-06-06
AAF68	AD68AH	AB6-8ACLD	A68AD-CE	BAPH-06-08

STEEL INTERLOCK RIVET

STRUCTURAL RIVET

Head: Dome
 Body: Steel Zinc
 Mandrel: Steel Zinc



Shear and tensile values shown is a guide only and may vary depending upon the application.

D (norm)	Part#	Grip Range	L (max)	F (max)	H	E	Drill Size	Ultimate Shear lbs	Ultimate Tensile lbs
3/16	0604	.062 - .250	.416	.716	.400	.090	#10	1300	1000
	0607	.062 - .437	.577	.968	.400	.090	#10	1300	1000
1/4	0806	.080 - .375	.556	.996	.530	.117	G	2400	1850
	0810	.080 - .625	.806	1.40	.530	.117	G	2400	1850

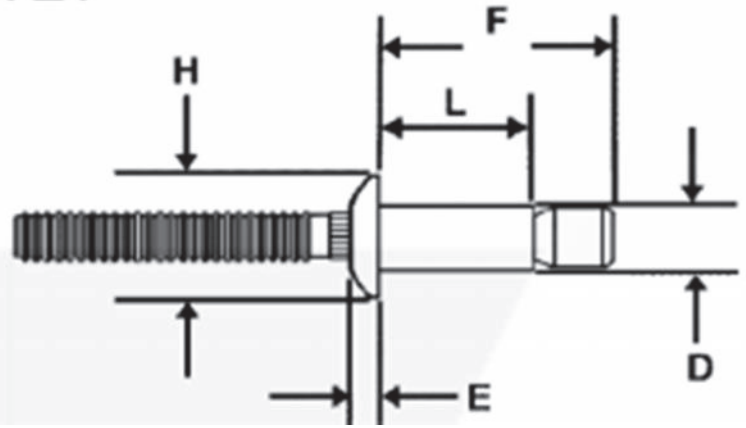
Blind Rivet Cross Reference Guide

MM Dist.	HUCK	AVDEL	POP	MARSON
SS-C-LOCK 0604	MGLP-R6-4	SSPI-0604	SD6270UG	SB6-4KL
SS-C-LOCK 0607	MGLP-R6-7E	SSPI-E0607	SD6437UGX	SB6-EKL
SS-C-LOCK 0806	MGLP-R8-6	SSPI-0806	SD8375UG	SB8-6KL
SS-C-LOCK 0810	MGLP-R8-10E	SSPI-E0810	SD8625UGX	SB8-EKL

ALUMINUM INTERLOCK RIVET

STRUCTURAL RIVET

Head: Dome
 Body: Aluminum
 Mandrel: Aluminum



Shear and tensile values shown is a guide only and may vary depending upon the application.

D (norm)	Part#	Grip Range	L (max)	F (max)	H	E	DrillSize	Ultimate Shear lbs	Ultimate Tensile lbs
3/16	0604	.062 - .250	.416	.716	.400	.090	#10	550	450
	0607	.062 - .437	.577	.968	.400	.090	#10	550	450
1/4	0806	.080 - .375	.556	.996	.530	.117	G	1270	830
	0810	.080 - .625	.806	1.40	.530	.117	G	1270	830

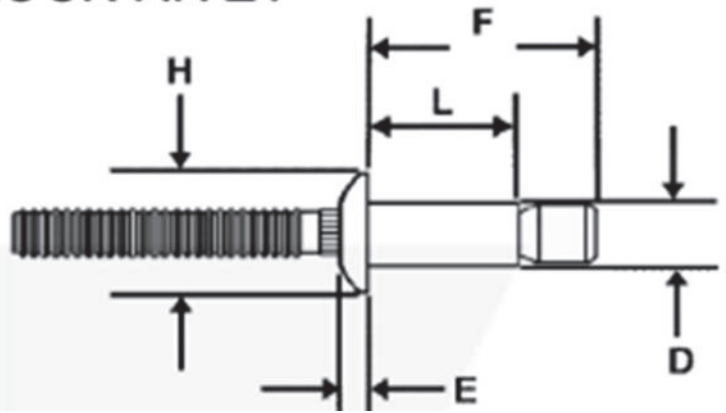
Blind Rivet Cross Reference Guide

MM Dist.	HUCK	AVDEL	POP	MARSON
AA-C-LOCK 0604	MGLP-86-4	BAPL-0604	AD6270UG	AB6-4KL
AA-C-LOCK 0607	MGLP-86-7E	BAPL-E0607	AD6437UGX	AB6-EKL
AA-C-LOCK 0806	MGLP-88-6	BAPL-0806	AD8375UG	AB8-6KL
AA-C-LOCK 0810	MGLP-88-10E	BAPL-E0810	AD8625UGX	AB8-EKL

STAINLESS STEEL INTERLOCK RIVET

STRUCTURAL RIVET

Head: Dome
 Body: STAINLESS STEEL
 Mandrel: STAINLESS STEEL



Shear and tensile values shown is a guide only and may vary depending upon the application.

D (norm)	Part#	Grip Range	L (max)	F (max)	H	E	Drill Size	Ultimate Shear lbs	Ultimate Tensile lbs
3/16	0604	.062 - .250	.416	.716	.400	.090	#10	1300	1000
	0607	.062 - .437	.577	.968	.400	.090	#10	1300	1000
1/4	0806	.080 - .375	.556	.996	.530	.117	G	2400	1850
	0810	.080 - .625	.806	1.40	.530	.117	G	2400	1850

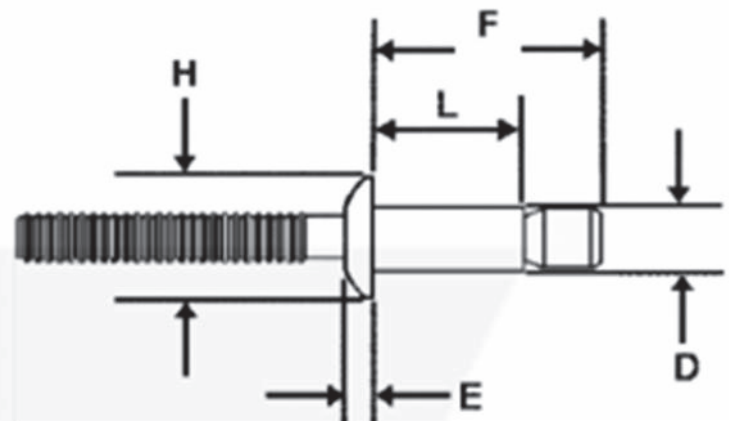
Blind Rivet Cross Reference Guide

MM Dist.	HUCK	AVDEL	POP	MARSON
BB-C-LOCK 0604	MGLP-U6-4	CCPI-0604	SSD6270UG	SSB6-4KL
BB-C-LOCK 0607	MGLP-U6-7E	CCPI-E0607	SSD6437UGX	SSB6-EKL
BB-C-LOCK 0806	MGLP-U8-6	CCPI-0806	SSD8375UG	SSB8-6KL
BB-C-LOCK 0810	MGLP-U8-10E	CCPI-E0810	SSD8625UGX	SSB8-EKL

STEEL MONO BLT RIVET

STRUCTURAL RIVET

Head: Dome
 Body: Steel Zinc
 Mandrel: Steel Zinc
 Special nose piece is required



Shear and tensile values shown is a guide only and may vary depending upon the application.

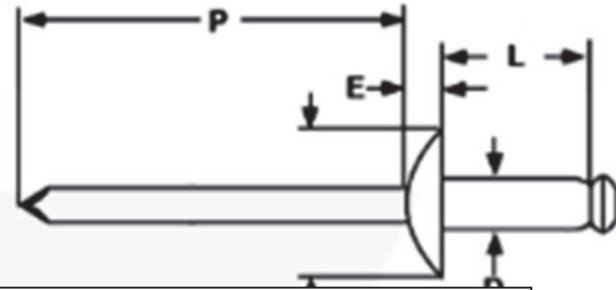
D (norm)	Part#	Grip Range	L (max)	F (max)	H	E	Drill Size	Ultimate Shear lbs	Ultimate Tensile lbs
3/16	0604	.062 - .250	.416	.716	.400	.090	#10	1300	1000
	0607	.062 - .437	.577	.960	.400	.090	#10	1300	1000
1/4	0806	.080 - .375	.556	.933	.530	.117	G	2400	1850
	0810	.080 - .625	.806	1.29	.530	.117	G	2400	1850

Blind Rivet Cross Reference Guide

MM Dist.	AVDEL	CHERRY	CELUS
SS-C FIX 0604	2771-0613	SSPV-06-04	MS/S64D
SS-C FIX 0607	2771-0617	SSPV-06-07	MS/S67D
SS-C FIX 0806	2771-0817	SSPV-08-06	MS/S86D
SS-C FIX 0810	2771-0824	SSPV-08-10	MS/S810D

ALUMINUM / STEEL LARGE FLANGE OPEN RIVET

Head: Large Flange
 Body: 5052 Alum. Polished
 Mandrel: Steel Zinc
 IFI 114 Grade 18



Shear and tensile values shown is a guide only and may vary depending upon the application.

D(norm)	Part#	Grip Range	L (max)	H	E	P (min)	DrillSize	Ultimate Shear lbs	Ultimate Tensile lbs
3/16	AS62	.020 - .125	.325	0.375	0.060	1.06	#11	445	720
	AS63	.126-.187	.387	0.375	0.060	1.06	#11	445	720
	AS64	.188 - .250	.450	0.375	0.060	1.06	#11	445	720
	AS66	.251 - .375	.575	0.375	0.060	1.06	#11	445	720
	AS68	.376 - .500	.700	0.375	0.060	1.06	#11	445	720
	AS610	.501 - .625	.825	0.375	0.060	1.06	#11	445	720
	AS612	.626 - .750	.950	0.375	0.060	1.06	#11	445	720
	AS614	.751 - .875	1.075	0.375	0.060	1.06	#11	445	720
	AS616	.876 - 1.000	1.200	0.375	0.060	1.06	#11	445	720
1/4	AS84	.126 - .250	.500	0.500	0.080	1.25	F	890	1200
	AS86	.251 - .375	.625	0.500	0.080	1.25	F	890	1200
	AS88	.376 - .500	.750	0.500	0.080	1.25	F	890	1200
	AS810	.501 - .625	.875	0.500	0.080	1.25	F	890	1200
	AS812	.626 - .750	1.000	0.500	0.080	1.25	F	890	1200
	AS814	.751 - .875	1.125	0.500	0.080	1.25	F	890	1200
	AS816	.876 - 1.000	1.250	0.500	0.080	1.25	F	890	1200

Blind Rivet Cross Reference Guide

MM Dist.	POP	MARSON	CELUS	AVDEL
AS62	AD62BS	AB6-2	A/S62D	BSP-06-02
AS63	AD63BS	AB6-3	A/S63D	BSP-06-03
AS64	AD64BS	AB6-4	A/S64D	BSP-06-04
AS66	AD66BS	AB6-6	A/S66D	BSP-06-06
AS68	AD68BS	AB6-8	A/S68D	BSP-06-08
AS610	AD610BS	AB6-10	A/S610D	BSP-06-10
AS612	AD612BS	AB6-12	A/S612D	BSP-06-12
AS614	AD614BS	AB6-14	A/S614D	BSP-06-14
AS616	AD616BS	AB6-16	A/S616D	BSP-06-16
AS84	AD84BS	AB8-4	A/S84D	BSP-08-04
AS86	AD86BS	AB8-6	A/S86D	BSP-08-06
AS88	AD88BS	AB8-8	A/S88D	BSP-08-08
AS810	AD810BS	AB8-10	A/S810D	BSP-08-10
AS812	AD812BS	AB8-12	A/S812D	BSP-08-12
AS814	AD814BS	AB8-14	A/S814D	BSP-08-14
AS816	AD816BS	AB8-16	A/S816D	BSP-08-16

Shear and tensile values shown is a guide only
and may vary depending upon the application.

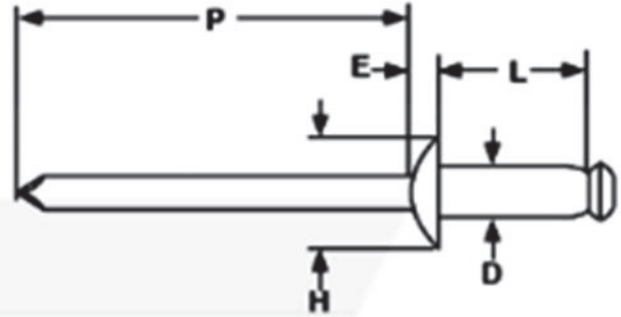
D (norm)	Part#	Grip Range	L (max)	H	E	P(min)	Drill size	Ultimate shear lbs	Ultimate Tensile lbs
3/16	AS62LF	.020 - .125	.325	0.625	0.092	1.06	#11	315	500
	AS63LF	.126-.187	.387	0.625	0.092	1.06	#11	315	500
	AS64LF	.188 - .250	.450	0.625	0.092	1.06	#11	315	500
	AS66LF	.251 - .375	.575	0.625	0.092	1.06	#11	315	500
	AS68LF	.376 - .500	.700	0.625	0.092	1.06	#11	315	500
	AS610LF	.501 - .625	.825	0.625	0.092	1.06	#11	315	500
	AS612LF	.626 - .750	.950	0.625	0.092	1.06	#11	315	500
	AS614LF	.751 - .875	1.075	0.625	0.092	1.06	#11	315	500
	AS616LF	.876 - 1.000	1.200	0.625	0.092	1.06	#11	315	500

Blind Rivet Cross Reference Guide

MM Dist.	POP	MARSON	CELUS	AVDEL
AS62LF	AD62BSLF	ABL6-2	A/S62LF	BSL-06-02
AS63LF	AD63BSLF	ABL6-3	A/S63LF	BSL-06-03
AS64LF	AD64BSLF	ABL6-4	A/S64LF	BSL-06-04
AS66LF	AD66BSLF	ABL6-6	A/S66LF	BSL-06-06
AS68LF	AD68BSLF	ABL6-8	A/S68LF	BSL-06-08
AS610LF	AD610BSLF	ABL6-10	A/S610LF	BSL-06-10
AS612LF	AD612BSLF	ABL6-12	A/S612LF	BSL-06-12
AS614LF	AD614BSLF	ABL6-14	A/S614LF	BSL-06-14
AS616LF	AD616BSLF	ABL6-16	A/S616LF	BSL-06-16

ALUMINUM / ALUMINUM OPEN RIVET

Head: Dome
 Body: 5052 Alum. Polished
 Mandrel: Alum. Polished
 IFI 114 Grade 11



Shear and tensile values shown is a guide only and may vary depending upon the application.

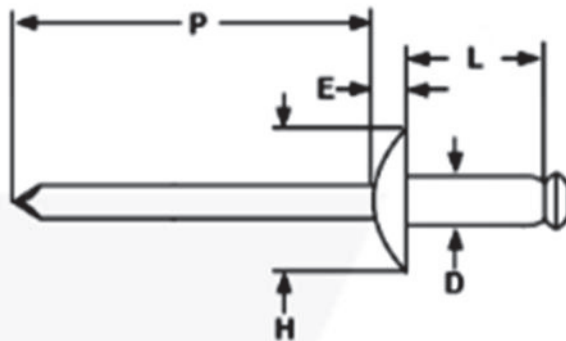
D(norm)	Part#	Grip Range	L (max)	H	E	P (min)	DrillSize	Ultimate Shear lbs	Ultimate Tensile lbs
3/16	AA62	.020 - .125	.325	0.375	0.060	1.06	#11	315	500
	AA63	.126-.187	.387	0.375	0.060	1.06	#11	315	500
	AA64	.188 - .250	.450	0.375	0.060	1.06	#11	315	500
	AA66	.251 - .375	.575	0.375	0.060	1.06	#11	315	500
	AA68	.376 - .500	.700	0.375	0.060	1.06	#11	315	500
	AA610	.501 - .625	.825	0.375	0.060	1.06	#11	315	500
	AA612	.626 - .750	.950	0.375	0.060	1.06	#11	315	500
	AA614	.751 - .875	1.075	0.375	0.060	1.06	#11	315	500
1/4	AA616	.876 - 1.000	1.200	0.375	0.060	1.06	#11	315	500
	AA84	.126 - .250	.500	0.500	0.080	1.25	F	600	750
	AA86	.251 - .375	.625	0.500	0.080	1.25	F	600	750
	AA88	.376 - .500	.750	0.500	0.080	1.25	F	600	750
	AA810	.501 - .625	.875	0.500	0.080	1.25	F	600	750
	AA812	.626 - .750	1.000	0.500	0.080	1.25	F	600	750
	AA814	.751 - .875	1.125	0.500	0.080	1.25	F	600	750
	AA816	.876 - 1.000	1.250	0.500	0.080	1.25	F	600	750

Blind Rivet Cross Reference Guide

MM Dist.	POP	MARSO	CELUS	AVDEL
AA62	AD62ABS	AB6-2A AB6-	A/A62D	AAP-06-02
AA63	AD63ABS	3A AB6-4A	A/A63D	AAP-06-03
AA64	AD64ABS	AB6-6A	A/A64D	AAP-06-04
AA66	AD66ABS		A/A66D	AAP-06-06
AA68	AD68ABS	AB6-8A AB6-	A/A68D	AAP-06-08
AA610	AD610ABS	10A AB6-12A	A/A610D	AAP-06-10
AA612	AD612ABS	AB6-14A	A/A612D	AAP-06-12
AA614	AD614ABS		A/A614D	AAP-06-14
AA616	AD616ABS	AB6-16A AB8-	A/A616D	AAP-06-16
AA84	AD84ABS	4A	A/A84D	AAP-08-04
AA86	AD86ABS	AB8-6A AB8-	A/A86D	AAP-08-06
AA88	AD88ABS	8A	A/A88D	AAP-08-08
AA810	AD810ABS	AB8-10A AB8-	A/A810D	AAP-08-10
AA812	AD812ABS	12A	A/A812D	AAP-08-12
AA814	AD814ABS	AB8-14A AB8-	A/A814D	AAP-08-14
AA816	AD816ABS	16A	A/A816D	AAP-08-16

ALUM. / ALUM. LARGE FLANGE OPEN RIVET

Head: Large Flange
 Body: 5052Alum. Polished
 Mandrel: Alum. Polished
 IFI 114 Grade 11



Shear and tensile values shown is a guide only and may vary depending upon the application.

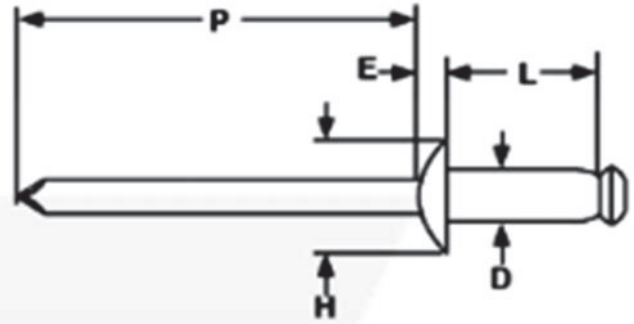
D (norm)	Part#	Grip Range	L (max)	H	E	P (min)	DrillSize	Ultimate Shear lbs	Ultimate Tensile lbs
3/16	AA62LF	.020 - .125	.325	0.625	0.092	1.06	#11	315	500
	AA63LF	.126 - .187	.387	0.625	0.092	1.06	#11	315	500
	AA64LF	.188 - .250	.450	0.625	0.092	1.06	#11	315	500
	AA66LF	.251 - .375	.575	0.625	0.092	1.06	#11	315	500
	AA68LF	.376 - .500	.700	0.625	0.092	1.06	#11	315	500
	AA610LF	.501 - .625	.825	0.625	0.092	1.06	#11	315	500
	AA612LF	.626 - .750	.950	0.625	0.092	1.06	#11	315	500
	AA614LF	.751 - .875	1.075	0.625	0.092	1.06	#11	315	500
	AA616LF	.876 - 1.000	1.200	0.625	0.092	1.06	#11	315	500

Blind Rivet Cross Reference Guide

MM Dist.	POP	MARSON	CELUS	AVDEL
AA62LF	AD62ABSLF	ABL6-2A	A/A62LF	AAL-06-02
AA63LF	AD63ABSLF	ABL6-3A	A/A63LF	AAL-06-03
AA64LF	AD64ABSLF	ABL6-4A	A/A64LF	AAL-06-04
AA66LF	AD66ABSLF	ABL6-6A	A/A66LF A/A68LF	AAL-06-06
AA68LF	AD68ABSLF	ABL6-8A	A/A610LF	AAL-06-08
AA610LF	AD610ABSLF	ABL6-10A	A/A612LF	AAL-06-10
AA612LF	AD612ABSLF	ABL6-12A		AAL-06-12
AA614LF	AD614ABSLF	ABL6-14A	A/A614LF	AAL-06-14
AA616LF	AD616ABSLF	ABL6-16A	A/A616LF	AAL-06-16

STEEL / STEEL OPEN RIVET

Head: Dome
 Body: Steel Zinc
 Mandrel: Steel Zinc
 IFI 114 Grade 30



Shear and tensile values shown is a guide only and may vary depending upon the application.

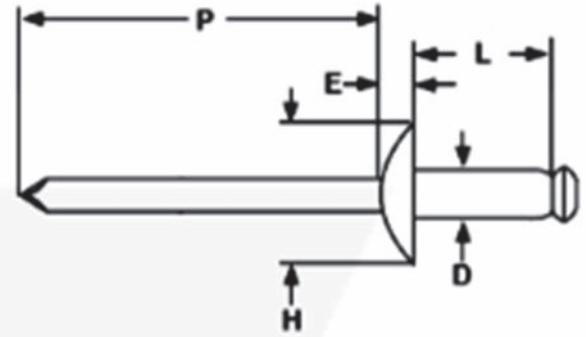
D(norm)	Part#	Grip Range	L (max)	H	E	P (min)	DrillSize	Ultimate Shear lbs	Ultimate Tensile lbs
3/16	SS62	.020 - .125	.325	0.375	0.060	1.06	#11	590	815
	SS63	.126-.187	.387	0.375	0.060	1.06	#11	590	815
	SS64	.188 - .250	.450	0.375	0.060	1.06	#11	590	815
	SS66	.251 - .375	.575	0.375	0.060	1.06	#11	590	815
	SS68	.376 - .500	.700	0.375	0.060	1.06	#11	590	815
	SS610	.501 - .625	.825	0.375	0.060	1.06	#11	590	815
	SS612	.626 - .750	.950	0.375	0.060	1.06	#11	590	815
	SS614	.751 - .875	1.075	0.375	0.060	1.06	#11	590	815
	SS616	.876 - 1.000	1.200	0.375	0.060	1.06	#11	590	815
1/4	SS84	.126 - .250	.500	0.500	0.080	1.25	F	1245	1505
	SS86	.251 - .375	.625	0.500	0.080	1.25	F	1245	1505
	SS88	.376 - .500	.750	0.500	0.080	1.25	F	1245	1505
	SS810	.501 - .625	.875	0.500	0.080	1.25	F	1245	1505
	SS812	.626 - .750	1.000	0.500	0.080	1.25	F	1245	1505
	SS814	.751 - .875	1.125	0.500	0.080	1.25	F	1245	1505
	SS816	.876 - 1.000	1.250	0.500	0.080	1.25	F	1245	1505

Blind Rivet Cross Reference Guide

MM Dist.	POP	MARSON	CELUS	AVDEL
SS62	SD62BS	SB6-2	S/S62D	SSP-06-02
SS63	SD63BS	SB6-3	S/S63D	SSP-06-03
SS64	SD64BS	SB6-4	S/S64D	SSP-06-04
SS66	SD66BS	SB6-6	S/S66D	SSP-06-06
SS68	SD68BS	SB6-8	S/S68D	SSP-06-08
SS610	SD610BS	SB6-10	S/S610D	SSP-06-10
SS612	SD612BS	SB6-12	S/S612D	SSP-06-12
SS614	SD614BS	SB6-14	S/S614D	SSP-06-14
SS616	SD616BS	SB6-16	S/S616D	SSP-06-16
SS84	SD84BS	SB8-4	S/S84D	SSP-08-04
SS86	SD86BS	SB8-6	S/S86D	SSP-08-06
SS88	SD88BS	SB8-8	S/S88D	SSP-08-08
SS810	SD810BS	SB8-10	S/S810D	SSP-08-10
SS812	SD812BS	SB8-12	S/S812D	SSP-08-12
SS814	SD814BS	SB8-14	S/S814D	SSP-08-14
SS816	SD816BS	SB8-16	S/S816D	SSP-08-16

STEEL / STEEL LARGE FLANGE OPEN RIVET

Head: Large Flange
 Body: Steel Zinc
 Mandrel: Steel Zinc
 IFI 114 Grade 30



Shear and tensile values shown is a guide only and may vary depending upon the application.

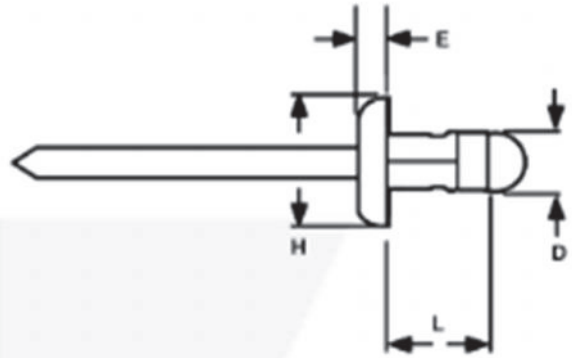
D (norm)	Part#	Grip Range	L (max)	H	E	P (min)	Hole Size	Ultimate Shear lbs	Ultimate Tensile lbs
3/16	SS62	.020 - .125	.325	0.625	0.092	1.06	#11	540	680
	SS63	.126-.187	.387	0.625	0.092	1.06	#11	540	680
	SS64	.188 - .250	.450	0.625	0.092	1.06	#11	540	680
	SS66	.251 - .375	.575	0.625	0.092	1.06	#11	540	680
	SS68	.376 - .500	.700	0.625	0.092	1.06	#11	540	680
	SS610	.501 - .625	.825	0.625	0.092	1.06	#11	540	680
	SS612	.626 - .750	.950	0.625	0.092	1.06	#11	540	680
	SS614	.751 - .875	1.075	0.625	0.092	1.06	#11	540	680
	SS616	.876 - 1.000	1.200	0.625	0.092	1.06	#11	540	680

Blind Rivet Cross Reference Guide

MM DIST.	POP	HUCK	MARSON	AVDEL
SS62LF	SD62BSLF	SBS62L	SBL6-2	SSL-06-02
SS63LF	SD63BSLF	SBS63L	SBL6-3	SSL-06-03
SS64LF	SD64BSLF	SBS64L	SBL6-4	SSL-06-04
SS66LF	SD66BSLF	SBS66L	SBL6-6	SSL-06-06
SS68LF	SD68BSLF	SBS68L	SBL6-8	SSL-06-08
SS610LF	SD610BSLF	SBS610L	SBL6-10	SSL-06-10
SS612LF	SD612BSLF	SBS612L	SBL6-12	SSL-06-12
SS614LF	SD614BSLF	SBS614L	SBL6-14	SSL-06-14
SS616LF	SD616BSLF	SBS616L	SBL6-16	SSL-06-16

ALUMINUM / STEEL MULTIGRIP RIVET

Head: Dome
 Body: 5052 Alum. Polished
 Mandrel: Steel Zinc



Shear and tensile values shown is a guide only and may vary depending upon the application.

D(norm)	Part#	Grip Range	L (max)	H	E	Mandrel Min	Drill Size	Ultimate Shear lbs	Ultimate tensile lbs
3/16	ASMG64	.062 - .250	.421	0.386	0.071	1.06	#11	315	500
	ASMG66	.125 - .375	.587	0.386	0.071	1.06	#11	315	500
	ASMG67	.187 - .437	.610	0.386	0.071	1.06	#11	315	500
	ASMG68	.250 - .500	.681	0.386	0.071	1.06	#11	315	500
	ASMG612	.500 - .781	.992	0.386	0.071	1.06	#11	315	500

Blind Rivet Cross Reference Guide

MM DIST.	POP	MARSON	CELUS	AVDEL
ASMG64	AD62-64BS	AB62-64MG	A/S62-64D-MG	1691-0613
ASMG66	AD63-66BS		A/S63-66D-MG	
ASMG67				1691-0619
ASMG68	AD66-68BS		A/S66-68D-MG	1691-0621
ASMG612	AD68-612BS		A/S68-612D-MG	1691-0631