

Floor Board Screw

A-1.....General Description

A-2.....1/4 TyF Spec Sheet

A-3.....5/16 TyF Spec Sheet

A-4.....5/16 Tri Point Spec Sheet

A-5.....1/4 Pan Hd TyF Spec Sheet

A-6.....5/16 Pan Hd TyF Spec Sheet

Floor Board Screw

1/4 = T30 Drive

5/16 = T40 Drive



Stock diameters: 1/4 – 20
5/16-18

Available in other coatings

Floor Board Screw

Called floor board screws, floor screws, deck screws. *Counter sunk*, self tapping, thread cutting screw, TyF, 6 lobe drive, phos & oil.

5/16 = T40 Drive



Stock Size: 5/16-18 x 2

Other sizes available on request

Available in other coatings

Tri Point Floor Board Screw

Counter sunk, self tapping, thread forming screw, twin lead, TyT, 6 lobe drive, phos & oil.

1/4 = T30 Drive

5/16 = T40 Drive



Stock diameters: 1/4 – 20
5/16-18

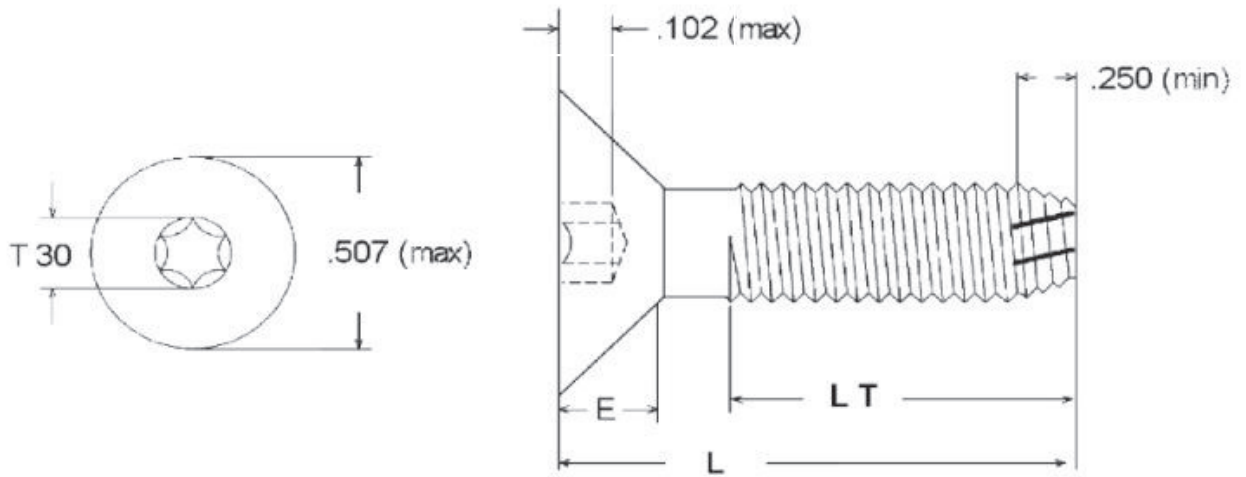
Available in other coatings

Pan Head Floor Board Screw

Pan head self tapping, thread cutting screw, TyF, 6 lobe drive, zinc plated.

FLOOR BOARD SCREW TyF

1/4 dia.



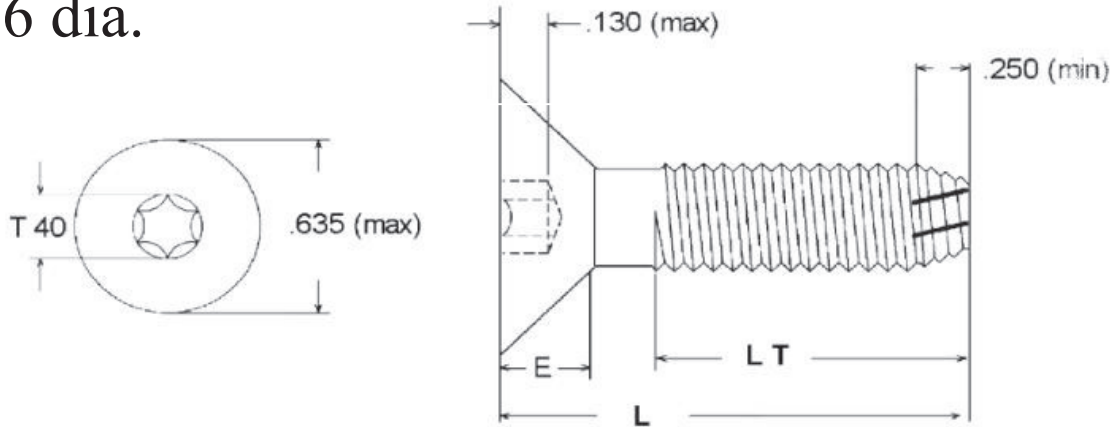
Drill Size Values shown are a guide only and may vary depending upon the application.

Part #	Size	L	LT (ref.)	E (ref.)	Drill Size (ref.)	Drill Size (ref.)
FBF141	1/4-20X1	1"	1"	5/32	#7	7/32
FBF14114	1/4-20X1 1/4	1 1/4"	1 1/4"	5/32	#7	7/32
FBF14112	1/4-20X1 1/2	1 1/2"	1 1/2"	5/32	#7	7/32
FBF14134	1/4-20X1 3/4	1 3/4"	1 3/4"	5/32	#7	7/32
FBF142	1/4-20X2	2"	1 5/8"	5/32	#7	7/32
FBF14214	1/4-20X2 1/4	2 1/4"	1 5/8"	5/32	#7	7/32
FBF14212	1/4-20X2 1/2	2 1/2"	1 5/8"	5/32	#7	7/32
FBF143	1/4-20X3	3"	2"	5/32	#7	7/32
FBF14312	1/4-20X3 1/2	3 1/2"	2"	5/32	#7	7/32
FBF144	1/4-20X4	4"	2"	5/32	#7	7/32
FBF145	1/4-20X5	5"	3"	5/32	#7	7/32
FBF146	1/4-20X6	6"	3"	5/32	#7	7/32

Counter Sunk, 6Lobe, Type F, Thread Cutting Screw	
Material:	1022 Steel
Heat Treatment:	Per IFI TyF Thead Cutting Screw
Finish:	Phos & Oil
Lead:	Single
Point:	Type F

FLOOR BOARD SCREW TyF

5/16 dia.



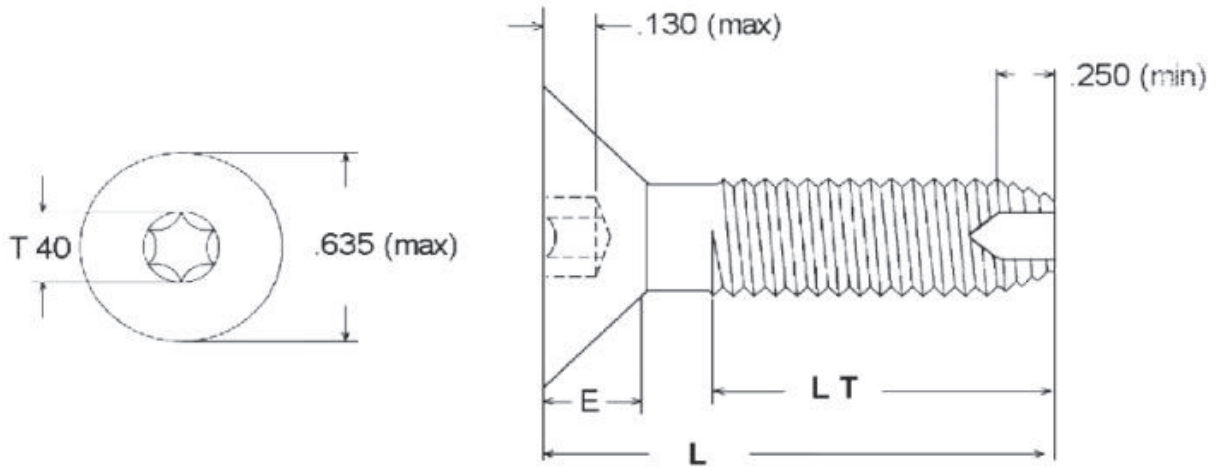
Drill Size Values shown are a guide only and may vary depending upon the application.

Part #	Size	L	LT (ref.)	E (ref.)	Drill Size (ref.)
FBF5161	5/16-18X1	1"	1"	3/16	F 9/32
FBF516114	5/16-18X1 1/4	1 1/4"	1 1/4"	3/16	F 9/32
FBF516112	5/16-18X1 1/2	1 1/2"	1 1/2"	3/16	F 9/32
FBF516134	5/16-18X1 3/4	1 3/4"	1 3/4"	3/16	F 9/32
FBF5162	5/16-18X2	2"	1 5/8"	3/16	F 9/32
FBF516214	5/16-18X2 1/4	2 1/4"	1 5/8"	3/16	F 9/32
FBF516212	5/16-18X2 1/2	2 1/2"	1 5/8"	3/16	F 9/32
FBF5163	5/16-18X3	3"	2"	3/16	F 9/32
FBF516312	5/16-18X3 1/2	3 1/2"	2"	3/16	F 9/32
FBF5164	5/16-18X4	4"	2"	3/16	F 9/32
FBF5165	5/16-18X5	5"	3"	3/16	F 9/32

Counter Sunk, 6Lobe, Type F, Thread Cutting Screw	
Material:	1022 Steel
Heat Treatment:	Per IFI TyF Thread Cutting Screw
Finish:	Phos & Oil
Lead:	Single
Point:	Type F

FLOOR BOARD SCREW TyT

5/16 dia.

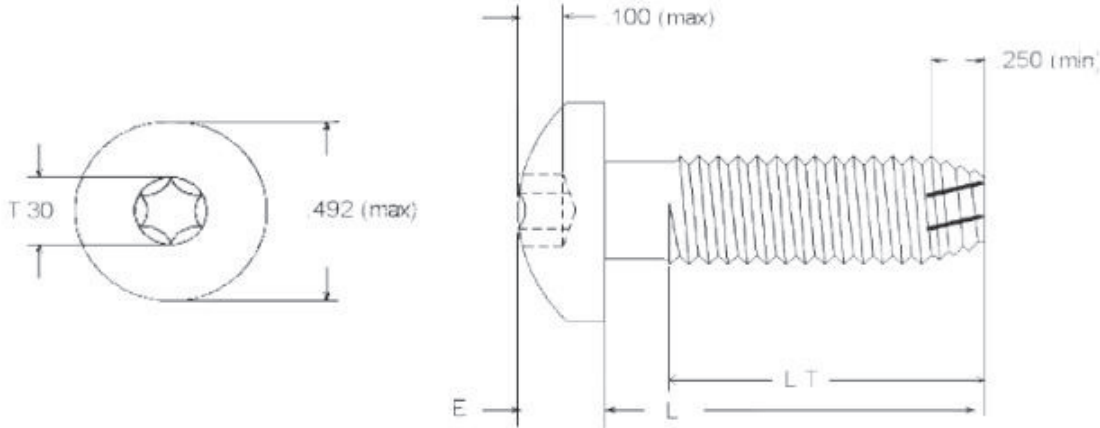


Drill Size Values shown are a guide only and may vary depending upon the application.

Part #	Size	L	LT (ref.)	E (ref.)	Drill Size (ref.)
FBT5162	5/16-18X2	2"	1 5/8"	3/16	F 9/32

Counter Sunk, 6Lobe, Tri Point, Thread Forming Screw	
Material:	1022 Steel
Heat Treatment:	Per IFI TyT Thead Forming Screw
Finish:	Phos & Oil
Lead:	Twin
Point:	Tri Point

PAN HEAD FLOOR BOARD SCREW TyF 1/4 dia.

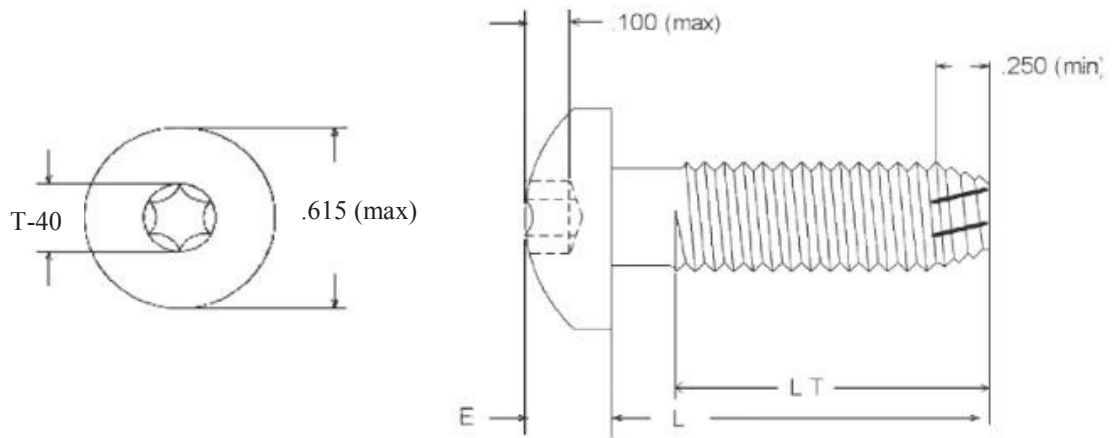


Drill Size Values shown are a guide only and may vary depending upon the application.

Part #	Size	L	LT (ref.)	E (ref.)	Drill Size (ref.)	
TPFZ1434	1/4-20X3/4	3/4"	3/4"	11/64	#7	7/32
TPFZ141	1/4-20X1	1"	1"	11/64	#7	7/32
TPFZ14112	1/4-20X1 1/2	1 1/2"	1 1/2"	11/64	#7	7/32
TPFZ142	1/4-20X2	2"	2"	11/64	#7	7/32
TPFZ14212	1/4-20X2 1/2	2 1/2"	1 5/8"	11/64	#7	7/32

Pan Head, 6Lobe, Type F, Thread Cutting Screw	
Material:	1022 Steel
Heat Treatment:	Per IFI TyF Thread Cutting Screw
Finish:	Zinc & Bake & Wax
Lead:	Single
Point:	Type F

PAN HEAD FLOOR BOARD SCREW TyF 5/16 dia.



Drill Size Values shown are a guide only and may vary depending upon the application.

Part #	Size	L	LT (ref.)	E (ref.)	Drill Size (ref.)	
TPFZ5161	5/16-18X1	1"	1"	7/32	F	9/32
TPFZ516114	5/16-18X1 1/4	1 1/4"	1 1/4"	7/32	F	9/32
TPFZ516112	5/16-18X1 1/2	1 1/2"	1 1/2"	7/32	F	9/32
TPFZ516134	5/16-18X1 3/4	1 3/4"	1 3/4"	7/32	F	9/32
TPFZ5162	5/16-18X2	2"	2"	7/32	F	9/32
TPFZ516212	5/16-18X2 1/2	2 1/2"	2"	7/32	F	9/32

Pan Head, 6Lobe, Type F, Thread Cutting Screw	
Material:	1022 Steel
Heat Treatment:	Per IFI TyF Thread Cutting Screw
Finish:	Zinc & Bake & Wax
Lead:	Single
Point:	Type F